

# GCSE Mathematics

## Practice Tests: Set 8

### Paper 3H (Calculator)

**Time: 1 hour 30 minutes**

You should have: Ruler graduated in centimetres and millimetres, protractor, pair of compasses, pen, HB pencil, eraser, calculator. Tracing paper may be used.

#### Instructions

- Use **black** ink or ball-point pen.
- **Fill in the boxes** at the top of this page with your name, centre number and candidate number.
- Answer **all** questions.
- Answer the questions in the spaces provided – *there may be more space than you need.*
- **Calculators may be used.**
- Diagrams are NOT accurately drawn, unless otherwise indicated.
- You must **show all your working out.**



#### Information

- The total mark for this paper is 80
- The marks for **each** question are shown in brackets – *use this as a guide as to how much time to spend on each question.*

#### Advice

- Read each question carefully before you start to answer it.
- Keep an eye on the time.
- Try to answer every question.
- Check your answers if you have time at the end.

**Answer ALL questions.**

**Write your answers in the spaces provided.**

**You must write down all the stages in your working.**

- 1** Three numbers have  
a mean of 17  
a median of 20  
a range of 27.

Find the three numbers.

..... , ..... , .....

**(Total for Question 1 is 3 marks)**

---

2

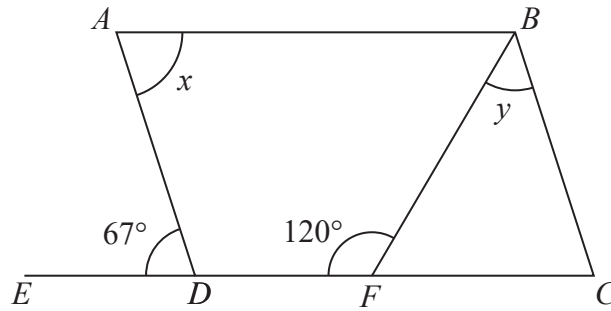


Diagram **NOT** accurately drawn

$ABCD$  is a parallelogram.  
 $EDFC$  is a straight line.

(a) (i) Write down the size of angle  $x$ .

.....<sup>o</sup>

(ii) Give a reason for your answer.

.....  
(2)

(b) Work out the size of angle  $y$ .

.....<sup>o</sup>  
(2)

**(Total for Question 2 is 4 marks)**

---

3 The table gives information about the number of trees in each of 20 gardens.

Number of trees	Frequency
0	2
1	7
2	3
3	4
4	3
5	1

(a) Work out the total number of trees in these gardens.

.....  
(2)

(b) Find the median number of trees in these gardens.

.....  
(1)

**(Total for Question 3 is 3 marks)**

---

4 Charlotte earns £8.50 per hour.  
She gets a pay rise of 6%

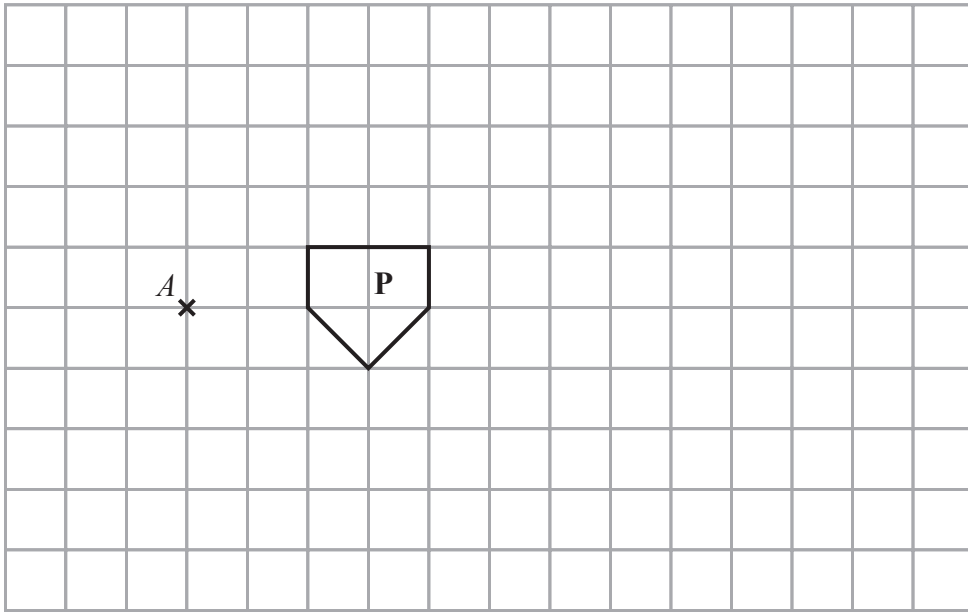
Work out how much Charlotte earns per hour after her pay rise.

£.....

**(Total for Question 4 is 3 marks)**

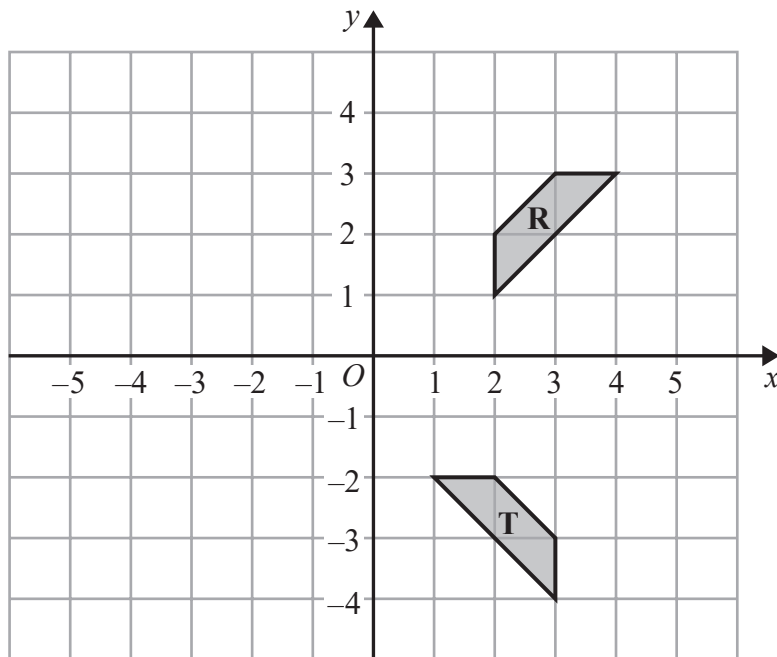
---

5



(a) On the grid, enlarge shape  $P$  with scale factor 3 and centre  $A$ .

(2)



(b) Describe fully the single transformation that maps shape  $R$  onto shape  $T$ .

.....  
.....

(3)

(Total for Question 5 is 5 marks)

6 A plane flew from Sydney to Wellington.

The distance the plane flew was 2240 km.

The average speed of the plane was 805 km/h.

Work out the time taken by the plane to fly from Sydney to Wellington.

Give your answer in hours and minutes, correct to the nearest minute.

..... hours ..... minutes

**(Total for Question 6 is 3 marks)**

---

7 Solve the simultaneous equations

$$\begin{aligned}y &= 4x \\ 7x - y &= -13.5\end{aligned}$$

Show clear algebraic working.

$x =$  .....

$y =$  .....

**(Total for Question 7 is 3 marks)**

---

8  $A$ ,  $B$  and  $C$  are three cities.

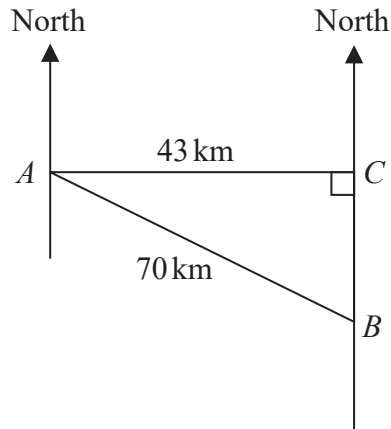


Diagram **NOT**  
accurately drawn

City  $C$  is due east of city  $A$  and due north of city  $B$ .  
City  $A$  is 43 km from city  $C$  and 70 km from city  $B$ .

Work out the bearing of city  $B$  from city  $A$ .  
Give your answer correct to the nearest degree.

.....°  
(Total for Question 8 is 4 marks)

---

9 Simplify  $(3a^2b^4)^3$

.....  
(Total for Question 9 is 2 marks)

---

10 Solve the inequalities  $-5 \leq 2p + 3 < 13$

.....  
(Total for Question 10 is 3 marks)

---



- 11** A group of 15 businessmen were asked to give the number of different countries they had each visited on business.

Here are the results.

0 1 3 3 4 6 7 8 8 9 10 10 11 12 14

Work out the interquartile range of the number of countries visited.

.....  
(Total for Question 11 is 2 marks)

---

**12** Solve  $\frac{5x-2}{3} + \frac{3-5x}{4} = 2$

Show clear algebraic working.

$x =$  .....  
(Total for Question 12 is 4 marks)

---

- 13** The population of China is  $1.4 \times 10^9$   
The population of Morocco is  $3.5 \times 10^7$

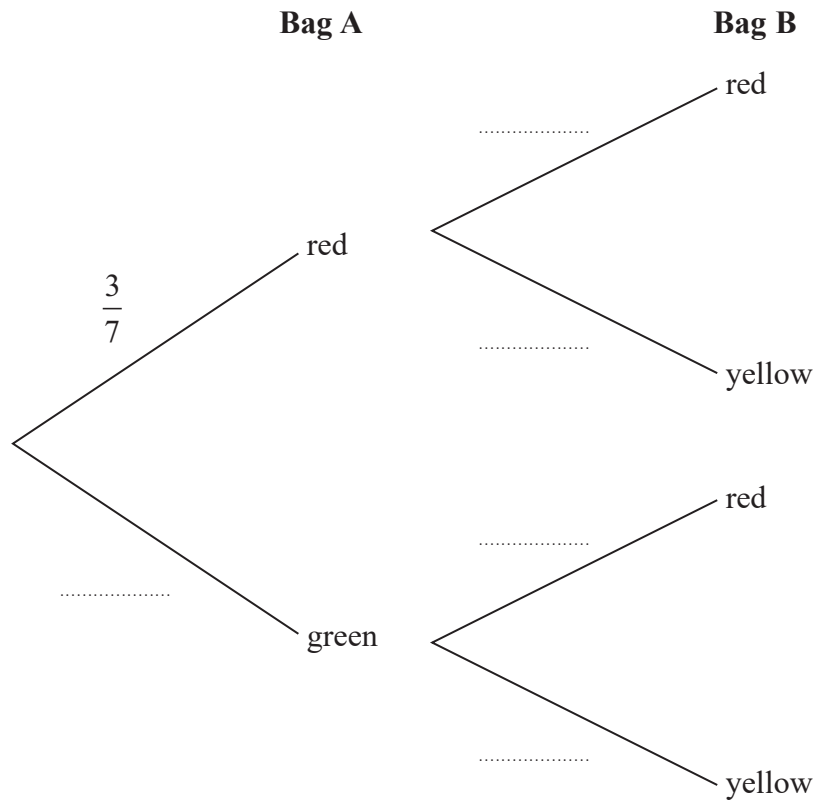
The population of China is  $k$  times the population of Morocco.

Work out the value of  $k$ .

.....  
**(Total for Question 13 is 2 marks)**

---

- 14** Genevieve has two bags of marbles, bag **A** and bag **B**.  
 In bag **A** there are only 3 red marbles and 4 green marbles.  
 In bag **B** there are only 4 red marbles and 5 yellow marbles.  
 Genevieve takes at random one marble from each bag.  
 (a) Complete the probability tree diagram.



(2)

- (b) Work out the probability that Genevieve takes two red marbles.

.....  
 (2)

**(Total for Question 14 is 4 marks)**

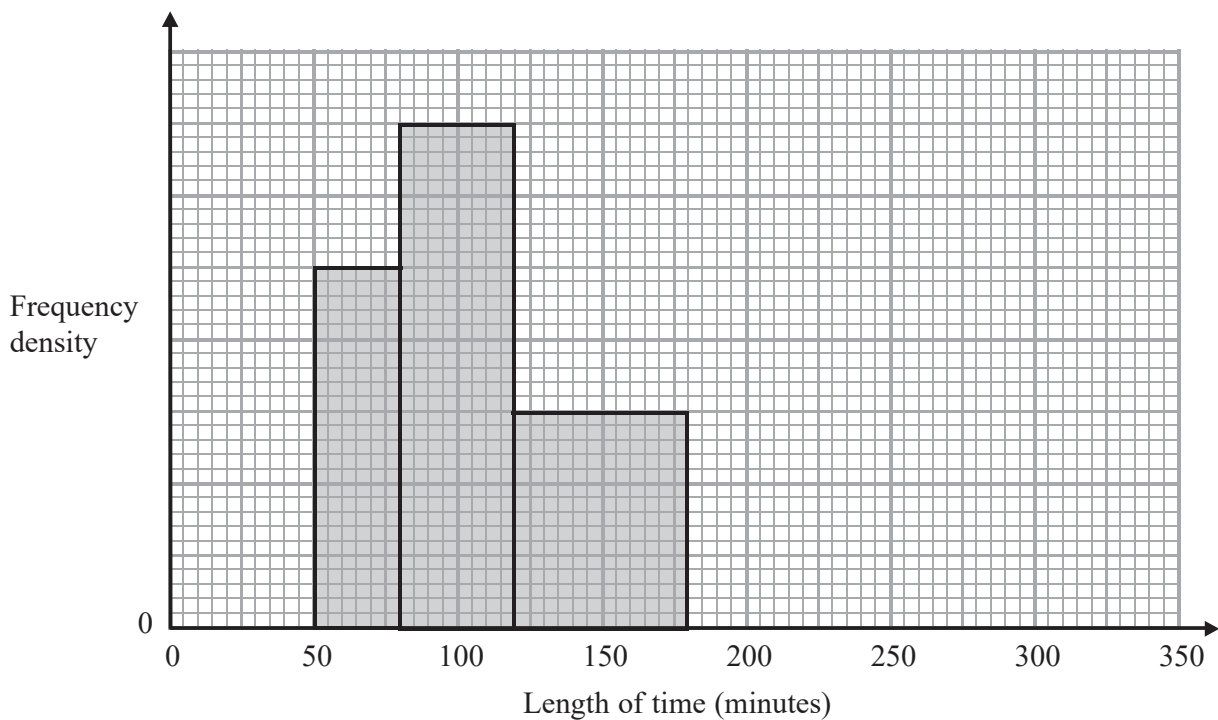
15 Make  $w$  the subject of the formula  $p = \sqrt{\frac{w+4}{w-2}}$

.....  
**(Total for Question 15 is 4 marks)**

---

- 16 The incomplete histogram and table give information about the lengths of time, in minutes, that some people spent at an airport.

Time ( $t$ minutes)	Frequency
$0 < t \leq 50$	10
$50 < t \leq 80$	15
$80 < t \leq 120$	
$120 < t \leq 180$	
$180 < t \leq 240$	12
$240 < t \leq 320$	8



- (a) Use the histogram to complete the table.

(2)

- (b) Use the table to complete the histogram.

(2)

(Total for Question 16 is 4 marks)

17

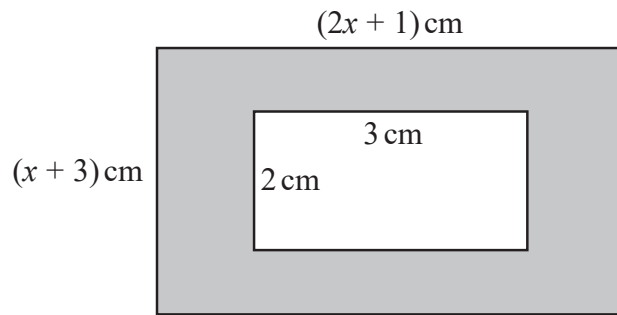


Diagram **NOT**  
accurately drawn

The diagram shows a rectangular piece of card with length  $(2x + 1)$  cm and width  $(x + 3)$  cm. A rectangle of length 3 cm and width 2 cm is cut out of the card.

The area of card that remains, shown shaded in the diagram, is  $45 \text{ cm}^2$

(a) Show that  $2x^2 + 7x - 48 = 0$

(2)

(b) Find the value of  $x$ .  
Show your working clearly.  
Give your value of  $x$  correct to 3 significant figures.

.....  
(3)

(Total for Question 17 is 5 marks)

18 Use algebra to show that the recurring decimal  $0.2\dot{7}\dot{8} = \frac{46}{165}$

(Total for Question 18 is 2 marks)

---

19 Express  $\frac{x+3}{x-4} - \frac{x+4}{x-3}$  as a single fraction.

Simplify your answer.

.....  
(Total for Question 19 is 3 marks)

---

20  $\frac{5^{n^2}}{5^6} \times \frac{5^{n^2-5n}}{5^3} = 125$  where  $n > 0$

Work out the value of  $n$ .  
Show clear algebraic working.

$n = \dots\dots\dots$

**(Total for Question 20 is 5 marks)**

---



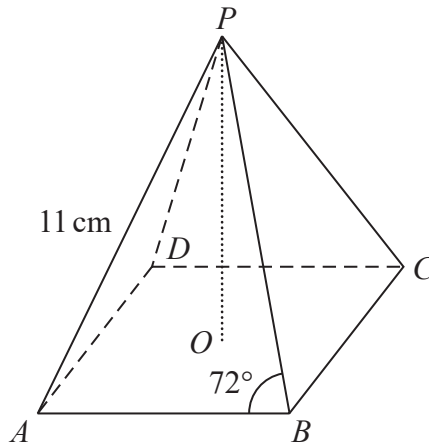


Diagram **NOT**  
accurately drawn

The diagram shows a pyramid with a horizontal square base.  
The vertex,  $P$ , of the pyramid is vertically above the centre,  $O$ , of the base.  
The triangular faces of the pyramid are congruent isosceles triangles.

In triangle  $ABP$

$PA = PB = 11$  cm and angle  $PBA = 72^\circ$

Work out the height,  $OP$ , of the pyramid.

Give your answer correct to 3 significant figures.

.....cm

(Total for Question 21 is 4 marks)

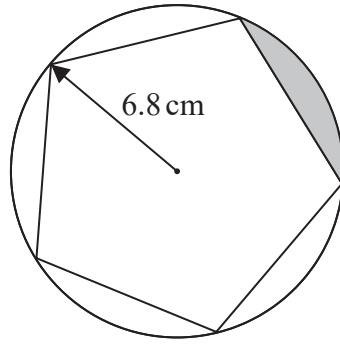


Diagram **NOT**  
accurately drawn

A regular pentagon is drawn inside a circle of radius 6.8 cm.  
Each vertex of the pentagon lies on the circle.

Find the perimeter of the region shown shaded in the diagram.  
Give your answer correct to 3 significant figures.

.....cm

**(Total for Question 22 is 4 marks)**

- 23 A box is in the shape of a cube of side 11.5 cm, correct to 1 decimal place.  
A solid spherical ball has radius 5.1 cm, correct to the nearest millimetre.  
The ball is placed inside the box and the box is closed.

Work out the upper bound for the volume of the box that is **not** occupied by the ball.

Show your working clearly.

Give your answer correct to the nearest whole number.

.....cm<sup>3</sup>

**(Total for Question 23 is 4 marks)**

---

**TOTAL FOR PAPER IS 80 MARKS**